

COMMERCIAL EXCELLENCE FOR YOUR HOME



**AFNE9BS PLATINUM**

---

### Tested to Outlast

We still make them like we used to. Tested for 10,400 cycles which could be up to 25 years in the home. Our touch pads are tested for 1 million impressions.

---

### Durable

Commercial-grade steel cabinet will look good and last for years to come, whilst full metal base provides stability and noise suppression.

---

### Extra Capacity

Large 96.8 litre stainless steel tub. Big enough for even the largest family, with 180 swing door, a true 10kg washing machine.

---

### Energy Efficient

Dynamic balancing, Incredible 440 G-force and 1,200rpm spin speed for optimum water extraction, and a spray rinse for outstanding results and water saving.

---

### Commercial Grade

Commercial heavy-duty variable induction motor. All metal trunnion, bearing and drive shaft. With heavy-duty seal and commercial shock absorbers for strength and durability.

---

### Convenient Cycle Times

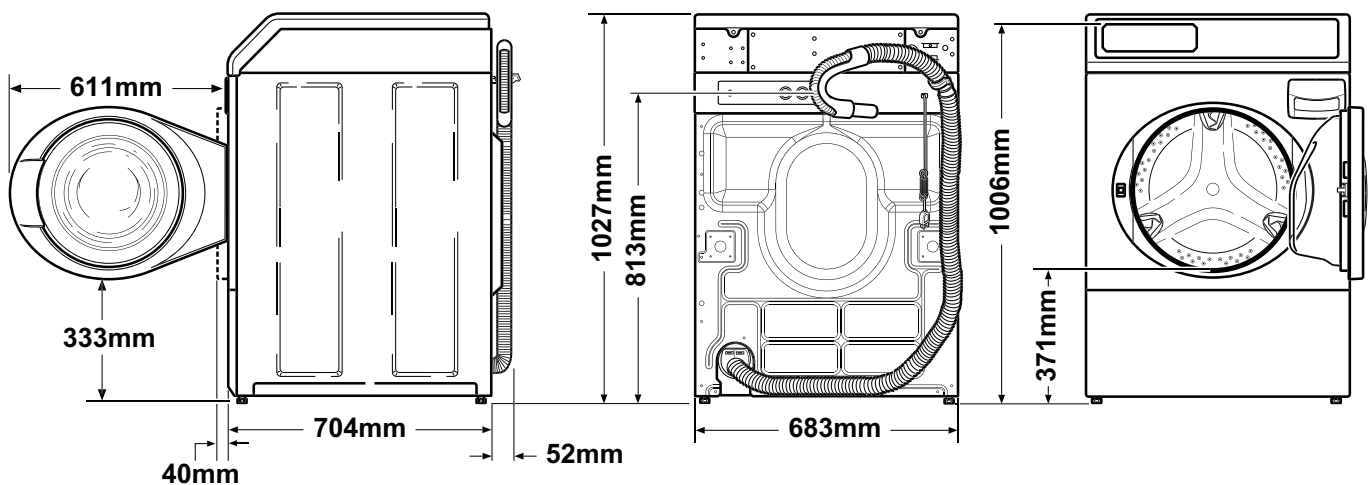
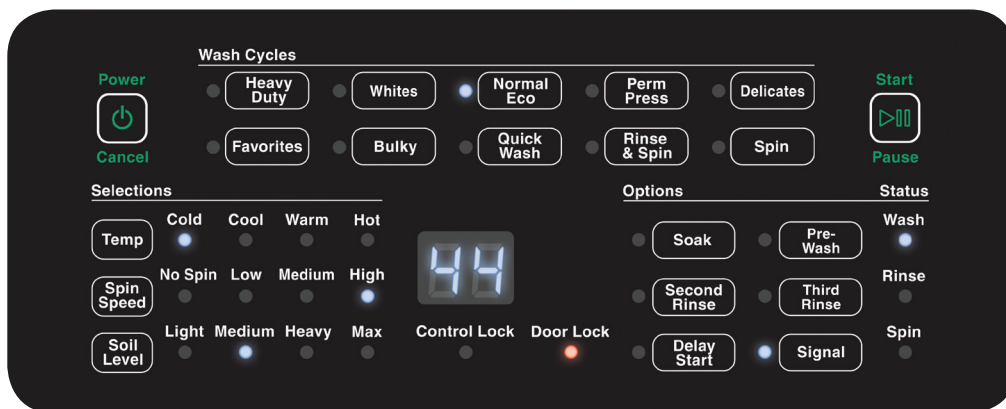
Cycles to suit your lifestyle, Quick Wash, Light, just 24min.

---

**[SPEEDQUEEN.COM.AU](http://SPEEDQUEEN.COM.AU)**

|                                       |  |
|---------------------------------------|--|
| <b>Model Number</b>                   | AFNE9B Black   |
| <b>Capacity Kg</b>                    | 10 kg  |
| <b>Drum Capacity Litres</b>           | 96.8 L   |
| <b>Dimensions (H X W X D)</b>         | 1027 x 683 x 704 mm  |
| <b>Spin Speed G-Force (Rpm)</b>       | 440 (1200)   |
| <b>Motor Size Kw (Hp)</b>             | Variable Speed Induction<br>0.67 (0.9)   |
| <b>Water Consumption Per Cycle Lt</b> | 126 L  |
| <b>Water Temperature Selection</b>    | 4  |
| <b>Available Cycles</b>               | Heavy Duty,<br>Normal Eco, Perm Press,<br>Delicate, Rinse & Spin,<br>Spin Only, Whites, Bulky,<br>Quick & programmable<br>Favourite cycles |

|  |  |
|--|--|
| <b>Additional Options</b>                      | Soak,<br>Pre-Wash,<br>Second Rinse,<br>Third Rinse,<br>Delay Start,<br>Signal finish |
| <b>Water Pressure Kpa(Psi)</b>                 | 140-830 (20-120)   |
| <b>Cycle Indicator Lights</b>                  | Yes  |
| <b>Wash Tub</b>                                | Stainless  |
| <b>Outer Wash Tub</b>                          | Stainless  |
| <b>Fill Hoses Included</b>                     | Yes, 1.2 Mtrs  |
| <b>Electrical Requirements (Voltage/Hz/Ph)</b> | 240 V / 50 Hz AC / 1 Ph  |
| <b>Shipping Dimensions (H X W X D)</b>         | 1156 x 732 x 832 mm  |
| <b>Shipping Weight</b>                         | 122 kg   |



## FRONT LOAD



---

## Tested to Outlast

We still make them like we used to. Tested for 10,400 cycles which could be up to 25 years in the home. Our touch pads are tested for 1 million impressions.

---

## Durable

Commercial-grade steel cabinet will look good and last for years to come.

---

## Extra Capacity

Large 198 litre capacity cylinder with the largest door opening means it can handle the biggest loads, so you spend less time in the laundry.

---

## Fabric Care

Whisper quiet, superior airflow of 85 litres per second results in faster drying with less wear, and less wrinkling of clothes.

---

## Energy Efficient

Four temperature setting options and auto dry feature ensure the dryer does not over dry items wasting valuable time, energy and money.

---

## Convenient Cycle Times

From 35min for full 9 kg load.

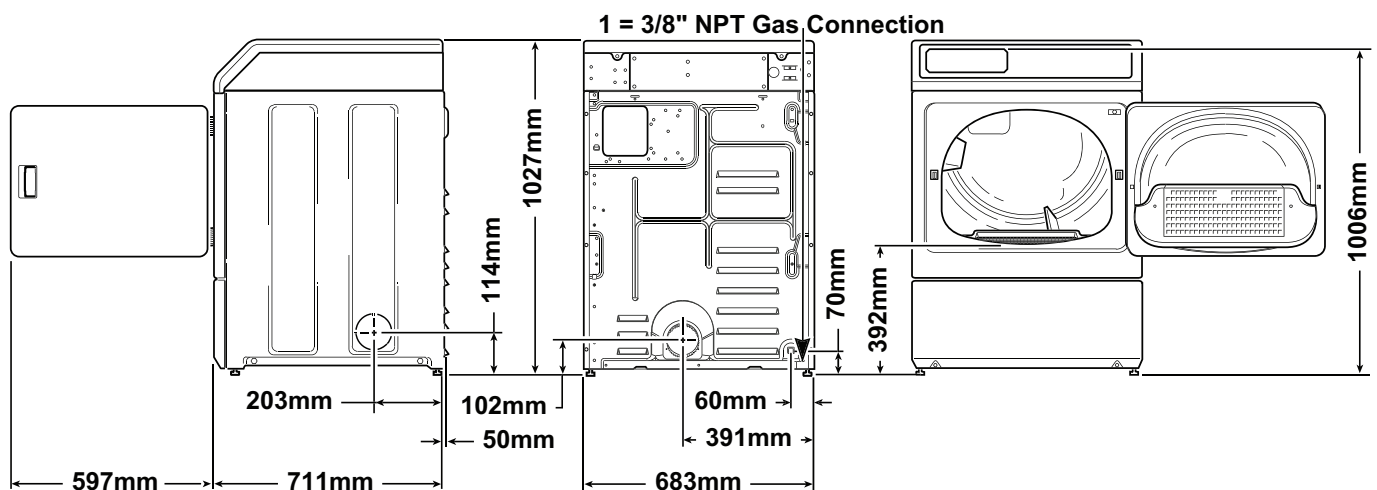
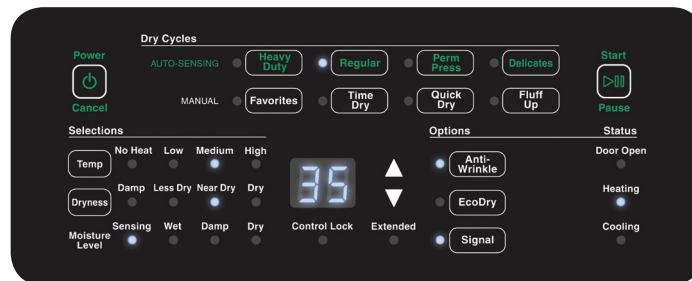
---

**ADEE9BSS ELEC & ADGE9BSS GAS PLATINUM** [SPEEDQUEEN.COM.AU](http://SPEEDQUEEN.COM.AU)

# ADEE9BSS ELEC & ADGE9BSS GAS PLATINUM

|  |  |
|--|--|
| <b>Model Numbers</b>                           | ADEE9BSS Platinum (Electric)<br>ADGE9BSS Platinum (Gas)                                      |
| <b>Capacity</b>                                | 9 kg   |
| <b>Quiet, Efficient Blower</b>                 | Yes  |
| <b>Dimensions (H X W X D)</b>                  | 1027 x 683 x 711 mm  |
| <b>Dryer Drum Capacity (Litres)</b>            | 198 L  |
| <b>Dryer Door Width</b>                        | 525 mm   |
| <b>Dryer Door Hinge</b>                        | Reversible   |
| <b>Dryer Motor Horsepower</b>                  | 1/3 hp   |
| <b>Available Heat Sources</b>                  | Electric or Gas (NG or LP)   |
| <b>Electrical Requirements (Voltage/Hz/Ph)</b> | 240V / 50 Hz AC / 1 Ph   |
| <b>Dryer Breaker Size</b>                      | 20 (Electric) 10 (Gas) Amps  |
| <b>Gas Consumption Mj</b>                      | 21.1 MJ (Gas)  |
| <b>Temperature Settings</b>                    | 4  |
| <b>Available Cycle</b>                         | Regular, Perm Press, Delicate, Time Dry, Quick Dry, Fluff up & Programmable favourite cycles |

|  |                                 |
|--|---------------------------------|
| <b>Moisture Sensor</b>                 | Yes                             |
| <b>Shoe Dryer Rack</b>                 | Optional (part number 512082)   |
| <b>Cabinet</b>                         | Stainless Steel                 |
| <b>Drum</b>                            | Galvanised Steel                |
| <b>Cycle Indicator Light</b>           | Yes                             |
| <b>End-Of-Cycle Buzzer</b>             | Yes                             |
| <b>Automatic Dry Cycles</b>            | Yes                             |
| <b>Time Drying</b>                     | Yes                             |
| <b>Gas Inlet Connection</b>            | 3/8 NPT                         |
| <b>Heating Element</b>                 | 4000 W (Electric)               |
| <b>Multiple Vent Options</b>           | Yes                             |
| <b>Exhaust Vent Size</b>               | 102 mm                          |
| <b>Australian Gas Approval</b>         | Yes                             |
| <b>Lp Conversion Kit</b>               | Optional                        |
| <b>Shipping Dimensions (H X W X D)</b> | 1156 x 737 x 832 mm             |
| <b>Shipping Weight</b>                 | Electric - 70 kg<br>Gas - 73 kg |



## FRONT CONTROL DRYER