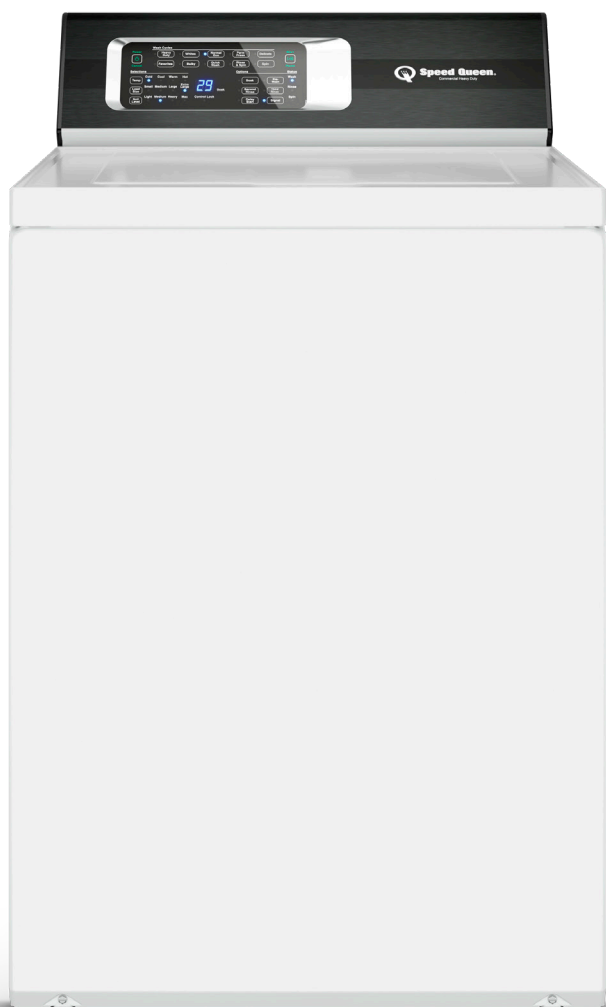


COMMERCIAL PERFORMANCE FOR YOUR HOME



AWNE92 BLACK

Tested to Outlast

We still make them like we used to. Tested for 10,400 cycles which could be up to 25 years in the home. Our touch pads are tested for 1 million impressions.

Extra Capacity

Large 92 litre stainless steel tub won't corrode, chip, pit or crack. It's not only gentler on clothes, but both the inner and outer tub come with a lifetime warranty.

Wash Quality

Traditional full-sized flex vane agitator with extra-large 210° agitation arc, with 68 agitations per minute, provides superior wash performance.

Durable

Triple coated, commercial-grade steel cabinet will look good for years to come, whilst full metal base provides stability and noise suppression.

Commercial Grade

Heavy duty, all metal transmission and industrial strength motor as used in laundrettes world wide.

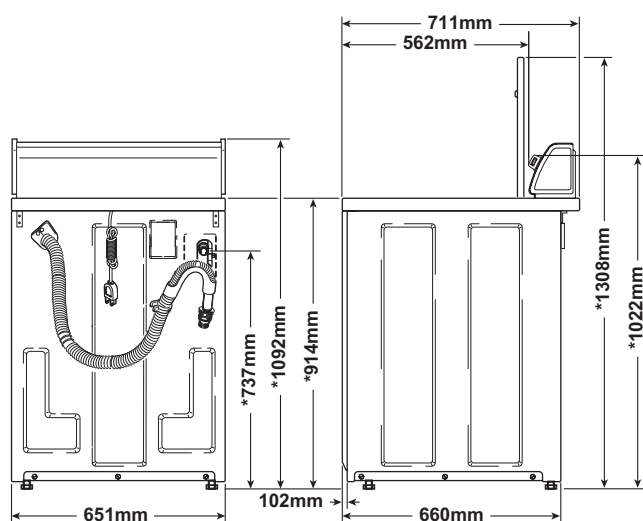
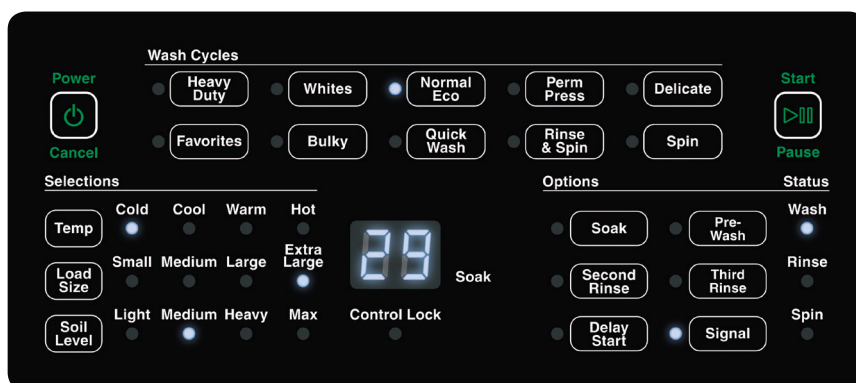
Fast Cycle Times

Heavy Duty: 37min.

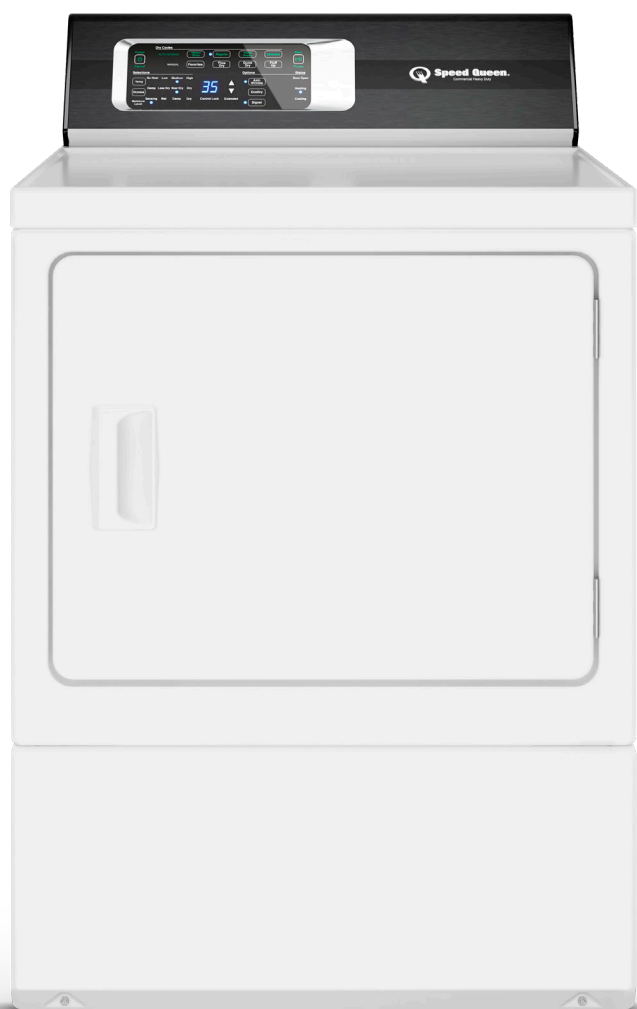
SPEEDQUEEN.COM.AU

Model Numbers	AWNE92 Black
Capacity	8.5 kg
Drum Capacity Litres	92.3 L
Dimensions (H X W X D)	1092 x 650 x 711 mm
Spin Speed (Rpm)	710 / 473 RPM
Agitation Rate	68/44 per minute
Motor Size Kw (Hp)	0.37 (1/2)
Motor Speeds	2
Water Consumption Litres	117 L
Variable Water Selection	Yes
Available Cycle	Heavy Duty, Whites, Normal Eco, Perm Press, Delicate, Bulky, Quick Wash, Rinse & Spin, Spin Only & Programmable Favourite Cycles

Water Temperature Selection	4
Water Pressure Kpi (Psi)	140-830 (20-120)
Bleach Dispenser	Yes
Fabric Softener Dispenser	Yes
Wash Tub	Stainless Steel
Outer Wash Tub	Porcelain Steel
Cabinet	Triple Coated Galvanised Steel
Electrical Requirements (Voltage/Hz/Ph)	240 V / 50 Hz AC / 1 Ph
Fill Hoses Included	Yes, 1.2 Mtrs
Automatic Balancing System	Yes
Rear Self-Levelling Legs	Yes
Shipping Dimensions (H X W X D)	1156 x 699 x 762 mm
Shipping Weight	89 kg



TOP LOAD



Tested to Outlast

We still make them like we used to. Tested for 10,400 cycles which could be up to 25 years in the home.

Durable

Triple Coated, commercial-grade steel cabinet will look good and last for years to come.

Extra Capacity

Large 198 litre capacity cylinder with the largest door opening means it can handle the biggest loads, so you spend less time in the laundry.

Fabric Care

Whisper quiet, superior airflow of 85 litres per second results in faster drying with less wear, and less wrinkling of clothes.

Energy Efficient

Four temperature setting options and auto dry feature ensure the dryer does not over dry items wasting valuable time, energy and money.

Fast Cycle Times

From 35min for full 9 kg load.

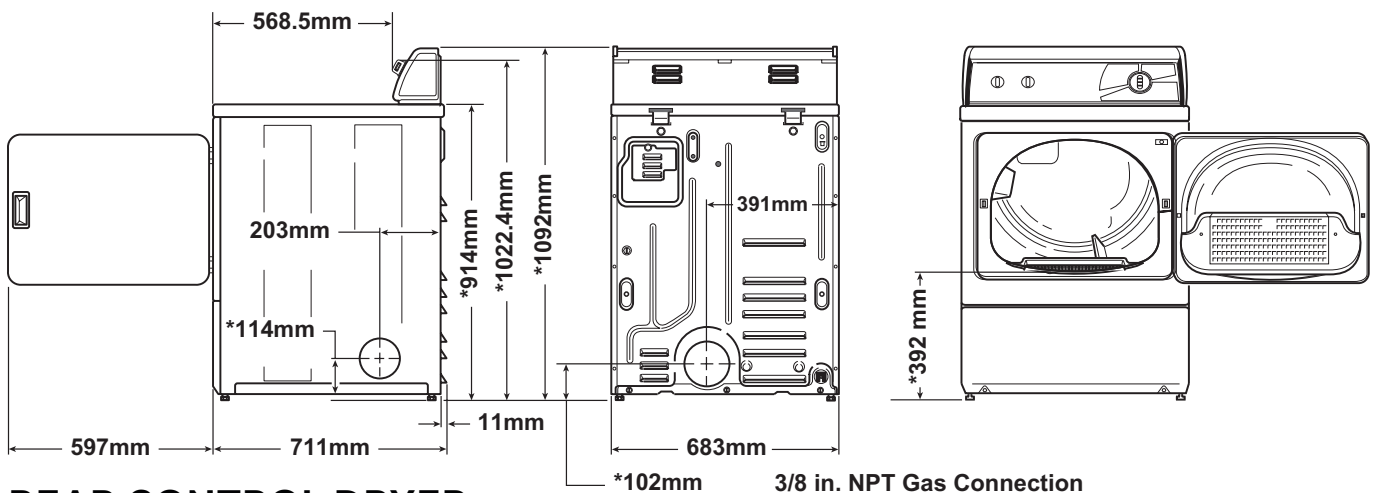
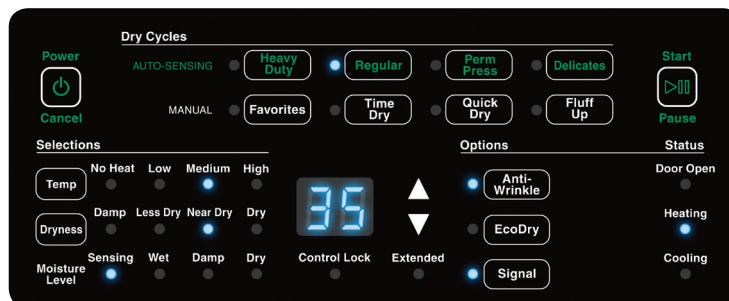
ADEE9R ELEC & ADGE9R GAS BLACK

SPEEDQUEEN.COM.AU

ADEE9R ELECTRIC & ADGE9R GAS BLACK

Model Number	ADEE9R Black (Electric) ADGE9R Black (Gas)
Capacity	9 kg
Quiet, Efficient Blower	Yes
Dimensions (H X W X D)	1092 x 683 x 711 mm
Dryer Drum Capacity (Litres)	198 L
Dryer Door Width	525 mm
Dryer Door Hinge	Reversible
Dryer Motor Horsepower	1/3 hp
Available Heat Sources	Electric or Gas (NG or LP)
Electrical Requirements (Voltage/Hz/Ph)	240V / 50 Hz AC / 1 Ph
Dryer Breaker Size	20 (Electric) 10 (Gas) Amps
Gas Consumption Mj	21.1 MJ (Gas)
Available Cycles	Heavy Duty, Regular, Perm Press, Delicate, Time Dry, Quick Dry, Fluff Up & Programmable Favourite cycles

Temperature Settings	4
Shoe Dryer Rack	Optional (part number 512082)
Cabinet	Triple Coated Galvanised Steel
Drum	Galvanised Steel
Cycle Indicator Light	Yes
End-Of-Cycle Buzzer	Yes
Automatic Dry Cycles	Yes
Time Drying	Yes
Gas Inlet Connection	3/8 NPT
Heating Element	4000 W (Electric)
Multiple Vent Options	Yes
Exhaust Vent Size	102 mm
Australian Gas Approval	Yes
LP Conversion Kit	Optional
Shipping Dimensions (H X W X D)	1156 x 737 x 832 mm
Shipping Weight	Electric - 64 kg Gas - 66 kg



REAR CONTROL DRYER