



CHiQ

TOP MOUNT REFRIGERATOR

▶ **USER MANUAL**

MODEL

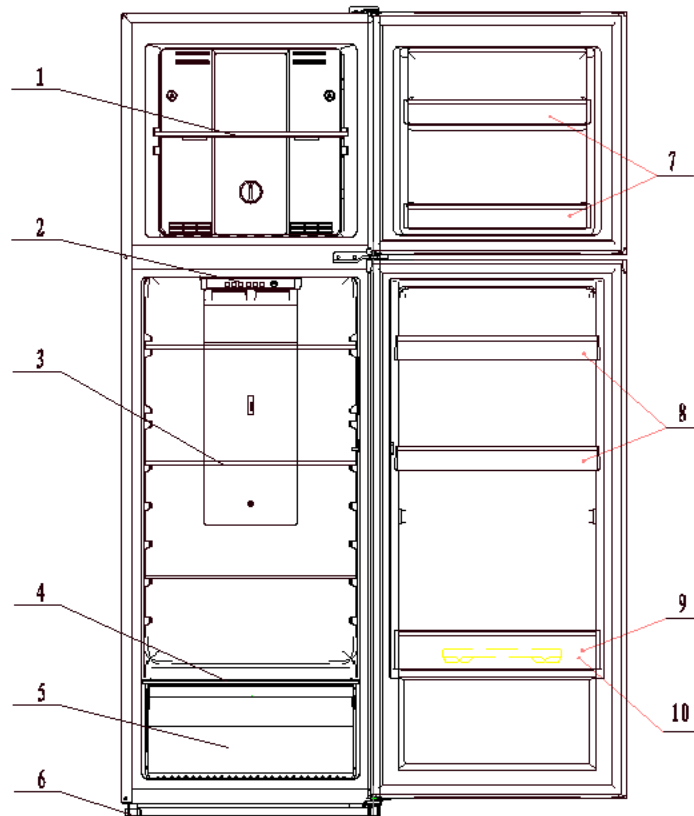
CTM255NW2



Customer Service 1300 796 688

www.chiq.com.au

PART NAMES AND LOCATIONS



No	Description
1	Freezer Shelf
2	Temp Control Knob
3	Refrigerator Glass Shelf
4	Crisper Cover
5	Salad Crisper
6	Adjustable Foot
7	Freezer Bottle Rack
8	Fridge Upper Bottle Rack
9	Fridge Bottom Bottle Rack
10	Egg Tray

IN ACCESSORY BAG: USER MANUAL, WARRANTY CARD, EGG TRAY, ICE BOX & DOOR STOPPER (small plastic parts for door reverse purpose ONLY)

As the manufacturer holds the authority to redesign or modify its products without notice: Any modifications or upgrades of our products will result in this refrigerator varying slightly from this manual but the functionality will remain the same to that as set out within this manual.

IMPORTANT SAFETY INSTRUCTIONS

⚡ WARNING ⚡

Follow these basic precautions to reduce the risk of fire, electrical shock hazards or injury when operating the refrigerator:

- **This product has been designed for using in a normal domestic environment. It is not intended for commercial use which will avoid warranty, such as supermarket, food shop, pharmacy, commercial kitchen & etc.**
- This appliance is not intended for use by persons (including children) with reduced physical, sensory or mental capabilities, or lack of experience and knowledge, unless they have been given supervision or instruction concerning use of the appliance by a person responsible for their safety.
- Children should be supervised to ensure that they do not play with the appliance. Cleaning and user maintenance shall not be made by children without supervision.
- It is critical use this appliance safely. Read all instructions before operating the refrigerator and do not attempt to repair or modify this unit in any way as it can cause harm or void the warranty.
- Please ensure all persons using this appliance are also informed and comply with the details set out within this manual and the product Terms and Conditions.
- When unpacking the appliance for the first time, keep all cardboard and plastic packaging out of reach from children.
- Report any notable defects with the appliance to Chiq or retailer as soon as it is noted. Failure to do so can result in a non-warranty claim. Keep all packaging materials in a safe location until the unit has been installed properly.
- If the supply cord is damaged, it must be replaced by the manufacturer, its service agent or similarly qualified persons in order to avoid a hazard. It is recommended the power cord is situated in a safe location when operating or transporting the appliance to prevent any damage that may cause electrical shock or fire hazards.
- This appliance is intended to be used in household and similar applications such as
 - staff kitchen areas in shops, offices and other working environments;
 - farm houses and by clients in hotels, motels and other residential type environments;
 - bed and breakfast type environments;
 - catering and similar non-retail applications.
- **DANGER or WARNING:**

Service of this unit

The installation or any service of the appliance is recommended by a qualified technician or service company.

Ventilation Hazards

Never clean the refrigerator or refrigerator parts with flammable fluids, or store gasoline or any other flammable vapors and liquids in the vicinity of this or any other refrigerator as the gas and/or vapour can cause a fire hazard, explosion or inhalation.

Electrical Connection

Make certain, when installing or moving the unit that the power outlet has been connected to, has been fitted by a qualified electrician and the ground wire has been connected properly to meet the Australian Electrical Standards.

R600a WARNINGS

NOTE: This model uses **0.042Kg** of R600a flammable refrigerant in its sealed system. The following must be observed for your safety:

R600a Refrigerant Warning

- This appliance contains a small quantity of R600a refrigerant which is environmentally friendly, but flammable. It does not damage the ozone layer, nor does it increase the greenhouse effect.
 - During transportation and installation, ensure that the tubing of the refrigerant circuit is not damaged.
 - Leaking refrigerant can ignite and may damage the eyes.
 - In the event any damage does occur, avoid exposure to open fires and any device which creates a spark. Disconnect the appliance from the mains power.
 - Thoroughly ventilate the room in which the appliance is located for several minutes.
 - Notify Customer Service for necessary action and advice.
 - The room for installing the appliance must be at least 1 cubic metre per 8 grams of refrigerant. The refrigerant quantity contained in this appliance is listed above in grams; it is also noted on the Rating Plate of the appliance.
- * Do not store explosive substances such as aerosol cans with a flammable propellant in this appliance.

It is hazardous for anyone other than an Authorised Service Person to carry out servicing or repairs to this appliance. In Queensland the authorized person must hold a Gas Work Authorisation for hydrocarbon refrigerants, before carrying out servicing or repairs which involve the removal of covers.

1. Keep ventilation openings, in the appliance enclosure or in the built-in structure, clear of obstruction.
2. Do not use mechanical devices or other means to accelerate the defrosting process, other than those recommended by the manufacturer.
3. Do not damage the refrigerant circuit.
4. Do not use electrical appliances inside the food storage compartments of the appliance, unless they are of the type recommended by the manufacturer.
5. Do not store explosive substances such as aerosol cans with a flammable propellant in the appliance.
6. WARNING: When positioning the appliance, ensure the supply cord is not trapped or damaged.
7. WARNING: Do not locate multiple portable socket-outlets or portable power supplies

at the rear of the appliance.



Warning: Risk of fire/flammable materials

Disposal

The environment and personal safety must be considered when disposing of this appliance. Please ensure the appliance is taken to a recycle center for safe recycling. DO NOT dispose of the appliance in land fill as the insulation and refrigerant gas contained in these appliances are flammable.

Door reversal instruction

Please find a plastic door stop from accessory bag and it is the only extra parts for the job.

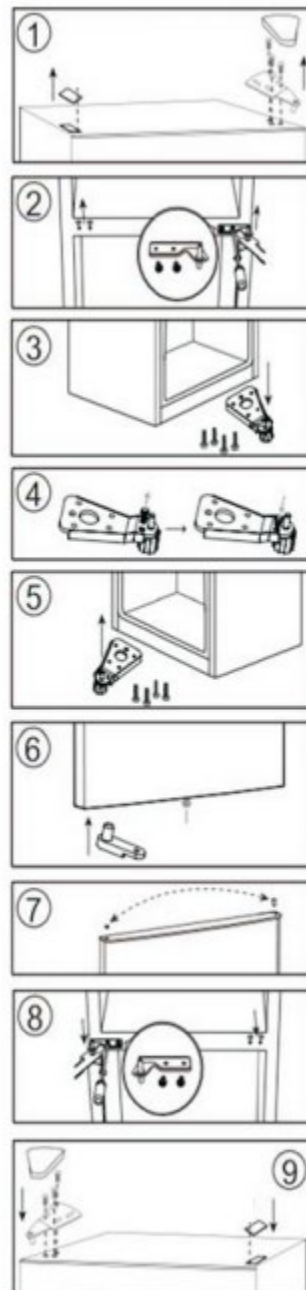
The following tool is required, **flat screwdriver, phillips screwdriver, adjustable spanner, socket wrench and 8mm socket.**

DOOR REVERSAL INSTRUCTIONS

If the appliance is placed on its back or side during this process it must be allowed to stand upright for 6 hours before plugging in to avoid damage to internal components.

1. Remove the screw hole cover from the top left side of the cabinet. Remove the upper hinge cover and the upper hinge from the top right side of the cabinet. Remove the freezer door from the cabinet.
2. Remove the center hinge from the right side of the cabinet. Remove the refrigerator door from the cabinet. Remove the screw hole covers from the left side of the cabinet. Remove the refrigerator door from the cabinet.
3. Remove the lower hinge from the bottom right side of the cabinet.
4. Remove the pin shaft to the right hole on the lower hinge, then insert the pin shaft into the left hole on the lower hinge.
5. Install the lower hinge onto the lower left side of the cabinet.
6. Remove the freezer door stop from the lower right side to the left side of the door. Get the left door stoop from the accessory bag, install it on bottom left side of the refrigerator door.
7. Move the door bushing from the top right side of the refrigerator door and remove the hinge hole cover from the top left side of the door. Exchange their positions.
8. Install the freezer door onto the cabinet. Install the center hinge on the left side of the cabinet. Install the screw hole covers on the right side of the cabinet.
9. Install the refrigerator door onto the cabinet. Install the upper hinge on the top left side of the cabinet. Install the screw hole cover onto the top right side of the cabinet.

Note: These instructions reference the models that come from the factory with a right hand swing door. If your appliance comes with a left hand swing, ensure that you flip the "left" and "right" in these instructions.



INSTALLATION INSTRUCTIONS

Before Using the Refrigerator

- Remove the exterior and interior packing.
- Before connecting the refrigerator to a power source, let the unit stand upright for approximately 4 hours to mitigate the possibility of a malfunction in the cooling system from improper handling during transportation.
- Clean the interior surface with warm water using a soft cloth.

Installing the Refrigerator

- This appliance is designed to be free standing only, and should not be recessed or built-in.
- **Allow at least 5cm of space between the back and sides of the refrigerator to allow proper air ventilation.** Insufficient space will result in cooling and working life issue and voiding warranty.
- Place the refrigerator on a **leveled/even** floor surface that is strong enough to support the weight of the refrigerator when it is fully loaded to prevent vibrations.
- **Place the refrigerator on a concrete, tile floor or waterproof floor is recommended. The fridge will produce defrost water or condensation moisture, it might cause water damage in some extreme circumstances.**
- **The front feet can be adjusted to level the appliance properly.** Adjust the two front feet to keep the refrigerator leveled or elevated.
- Situate the refrigerator away from direct sunlight and sources of direct heat (stove, heater, radiator, etc.). Direct sunlight may also affect the acrylic coating and heat sources may cause an increase power consumption.
- This unit is not designed for outside installation.
- Avoid situating the refrigerator in moist OR **pest infestation** areas.
- Plug the refrigerator into dedicated, properly installed-grounded wall outlet. Do not under any circumstances cut or remove the third (ground) prong from the power cord. Any questions concerning power and/or grounding should be directed toward a certified electrician or an authorized service center.
- After plugging the appliance into a wall outlet, turn the unit on and allow the unit to cool down for 4-6 hours before placing food in the refrigerator.
- Do not place heavy items on the top of this appliance.

ENERGY SAVING TIPS

- Allow hot foods to cool to room temperature before placing in the refrigerator. Overloading the refrigerator forces the compressor to work harder. Foods that freeze too slowly may lose quality, or spoil.
- Be sure to wrap foods properly, and wipe containers dry before placing them in the refrigerator. This cuts down on frost build-up inside the refrigerator.
- Organize and label food to reduce door openings and extended searches. Remove as many items as needed at one time, and close the door as soon as possible.

OPERATING INSTRUCTIONS

START

When the refrigerator has power on for the first time, the indicator lights of display area fully illuminated for 2 seconds. After that, the refrigerator will run at setting 3 by default.

Door-open overtime alarm

When the fridge door keeps opening for more than 3 minutes, alarm sounds will be active.

Pressing "SET" control key will suspend the alarm for 3 minutes. When the fridge door is closed, the alarm will be turned off.

Fridge temperature adjustment

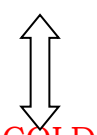
Temperature can be adjusted by pressing the SET key. In the case of temperature adjustment, the indicator light of the corresponding temperature mode gets flashing; and if no key operation within 5s, the setting will be validated. The temperature adjustment cycles in the following manner: Mode 3→2→1FAST COOL→5→4→3.

FAST COOL

The refrigerator temperature is cooled down in a quick manner, so as to ensure food nutrition gets not lost and tastes are fresh.

The Fast Cool function keeps working for a maximum period of 30 hours. After that, it will automatically exit, with the temperature mode restored to that set before the Fast Cool function is enabled.

TEMPERATURE SELECTION

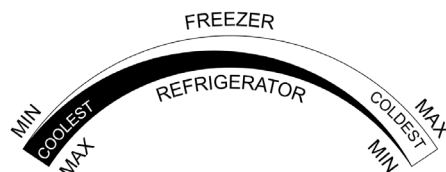
	COLDEST	5	When the user needs a colder temperature.
		4	
		3	When in normal use.
		2	When the user does not need a colder temperature.
	COLD	1	



Failure alarm

When the indicator light of Mode 5 or Mode 3 or Mode 1 keeps flashing, it indicates the refrigerator failure. Please contact the after-sales service personnel for visiting service as soon as possible

Freezer temperature adjustment



- When the temperature mode keeps unchanged, adjust the air regulating rod from left to right, the fridge temperature gets increased while the freezer temperature decreased.
- When the temperature mode keeps unchanged, adjust the air regulating rod from right to left, the fridge temperature gets decreased while the freezer temperature increased .
- It is recommended to adjust the air regulating rod in the middle position. When the user needs a lower freezer temperature, adjust the air regulating rod to the right properly, then the freezer temperature decreases while the fridge temperature rises. When the temperature meets the requirement, adjust the air regulating rod back to the middle position again in a timely manner.

During the actual use, the freezer air adjustment knob may get frozen as a result of high humidity or frequent opening of the door. In such case, do not adjust the air lever by force. Instead, you are suggested to heat the air adjustment knob using a hot towel to make the frozen knob thaw before adjusting it, so as to avoid it from being damaged.

Humidity control

The crisper has a Humidity control on the front, set it to high will keep more moisture inside and set it to Low position will reduce the moisture.

If too much moisture or condensation under the crisper glass cover. Please put leafy greens, like arugula, spinach, and herbs into a plastic or paper bag before putting the crisper.

Changing the lamp

The LED lamp is used by the refrigerator for lighting, which features low energy consumption and long service life. In case of any abnormality, please contact the after-sales personnel for visiting service. The LED lamps can only be replaced by the after-sales personnel.

Notes

Large quantities of food stored in the appliance or directly in front of the air vent will hinder the cooling efficiency of the appliance as this can affect the airflow.

Change the thermostat settings in the fridge or freezer compartment, allow 6 hours for temperature to stabilize between adjustments.

Do not keep opening and closing the door which will increase the temperature in the unit.

Please note different sections of refrigerator compartment may be warmer or cooler than others – typically the back wall and bottom lowest shelf will be the coolest, the top door rack will be the warmest. To avoid frost bite, please don't put raw vegetables too close to the coolest area.

GENERAL CARE AND MAINTENANCE

Cleaning the Refrigerator

- Upon installation of your new appliance, it is recommended that it be cleaned thoroughly and properly maintained thereafter.
- Turn off the refrigerator and then unplug the unit from the wall outlet.
- Remove all food content before washing the inside with a damp cloth soaked in lukewarm water and dishwasher liquid. **Don't use any chemical detergent which might damage the fridge.**
- Be sure to keep the door gasket (seal) clean to keep the unit running efficiently as improper cleaning can cause the seal to dislodge and tear.
- Dry the interior and exterior with a soft cloth.

Vacation Time

- Turn off the refrigerator first and then unplug the unit from the power point.
- Remove all food.
- Clean the refrigerator.
- Leave the lid open slightly to avoid possible formation of condensation, mold, or odors.
- Use extreme caution in the case of children. The unit should not be accessible to child's play.
- **Short vacations:** Leave the refrigerator operating during vacations of less than three weeks.
- **Long vacations:** If the appliance will not be used for several months, remove all food and unplug the power cord. Clean and dry the interior thoroughly. To prevent odour and mold growth, leave the door open slightly: blocking it open if necessary.

Repositioning and Relocating the Refrigerator

- Unplug the power cord from the wall outlet.
- Remove all the food and drinks.
- Securely tape down all loose items inside your refrigerator.
- Tape the doors to be closed securely.
- It is recommended that the refrigerator stays in the upright position during transportation. But if it is laid down for transport purpose, please lift it up immediately after the job is done. Please wait for at least 24 hours before putting the power.

Changing the light

- The LED lamp is used by the refrigerator for lighting, which features low energy consumption and long service life. In case of any abnormality, please contact the after-sales personnel for visiting service. The LED lamps can only be replaced by the after-sales personnel.

- In the case of the LED light flashing, it indicates the refrigerator gets failed. Please contact the after-sales staff for on-site service as soon as possible.

TROUBLESHOOTING GUIDE

Problem	Solution
The fridge has no power	<ul style="list-style-type: none"> ➤ Power cord isn't plugged in properly. ➤ The circuit breaker tripped or a blown fuse. ➤ Try a different power point.
The light is not working.	<ul style="list-style-type: none"> ➤ There is no light in freezer compartment, only fridge compartment has light. ➤ Make sure the power is connected to the unit.
Compressor runs all the time	<ul style="list-style-type: none"> ➤ The room temperature is hotter than normal. ➤ A large amount of food has been added to the refrigerator. ➤ The door is opened too often. ➤ The door is not closed completely. ➤ The temperature control is not set correctly. ➤ The door gasket does not seal properly. ➤ The refrigerator does not have the correct clearances. ➤ The refrigerator has recently been disconnected for a period of time. 6+ hours are required for the refrigerator to cool down completely pending on operating conditions.
Freezer is too cold and refrigerator is too warm	<ul style="list-style-type: none"> ➤ Change freezer air flow setting to min position ➤ The fridge might need a manual defrost due to too much moisture went into the freezer part and blocked the air channel. To do so, Keep food in a container with ice bag or another fridge if it is available. Keep both doors opening and unplug the power cord for 24 hours. Then turn on the unit and it will work properly again.

<p>Temperature inside the refrigerator is too warm.</p>	<ul style="list-style-type: none"> ➤ Temperature control is set incorrectly. Turn the control to a cooler setting and allow several hours for the temperature to stabilize. ➤ Change freezer air flow setting to min position. ➤ Door is kept open too long or is opened too frequently. Warm air enters the refrigerator every time the door is opened). Open the door less often. ➤ The door is not closed completely. ➤ The door gasket does not seal properly.
<p>Temperature inside the refrigerator is too cold.</p>	<ul style="list-style-type: none"> ➤ Freezer control incorrectly set. Set back to mid position. ➤ Temperature control is set too cold. Turn the control to a warmer setting and allow several hours for the temperature to stabilize.
<p>Temperature of external refrigerator side walls are warm.</p>	<ul style="list-style-type: none"> ➤ The exterior refrigerator walls can be as much as 15-20 degrees warmer than room temperature. This is normal while the compressor works to transfer heat from inside the refrigerator cabinet to the condenser behind the refrigerator side walls.
<p>Popping or cracking sound when compressor comes on.</p>	<ul style="list-style-type: none"> ➤ Metal parts undergo expansion and contraction, as in hot water pipes. This is normal. Sound will level off or disappear as refrigerator continues to run.
<p>Bubbling or gurgling sound, like water boiling.</p>	<ul style="list-style-type: none"> ➤ Refrigerant (used to cool refrigerator) is circulating throughout the system. This is normal operation.
<p>Vibrations.</p>	<ul style="list-style-type: none"> ➤ Check the refrigerator is on a level/even surface. ➤ Refrigerator rocks on the floor when it is moved slightly. Be sure floor can adequately support refrigerator. ➤ Level the refrigerator by putting wood or metal shims under part of the refrigerator. ➤ The refrigerator is touching the wall. Re-level the refrigerator and move it from the wall. See “Installation Instructions”.
<p>Moisture forms on inside refrigerator walls.</p>	<ul style="list-style-type: none"> ➤ Weather is hot and humid, which increases internal rate of frost build-up. This is normal. ➤ Door is slightly open. ➤ Door is kept open too long, or is opened too frequently. Open the door less often. ➤ The door is not sealed properly.
<p>Moisture forms on outside of refrigerator.</p>	<ul style="list-style-type: none"> ➤ Door is slightly open, causing cold air from inside the refrigerator to meet warm moist air from the outside.

The doors will not close properly.	<ul style="list-style-type: none">➤ The refrigerator is not on a level surface.➤ The gasket/s may be dirty or not properly maintained. Clean the seals and make sure they are dry before closing the door/s.➤ The storage basket and/or shelves are out of position.

For any enquiries, please call the CHiQ Customer care on: 1300 796 688



Customer Service

1300 796 688

www.chiq.com.au